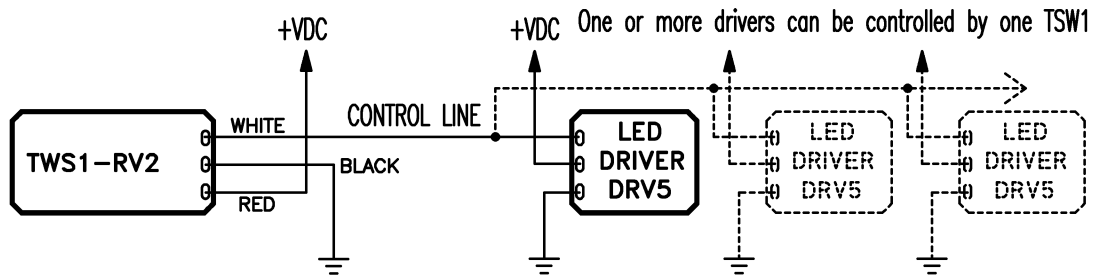


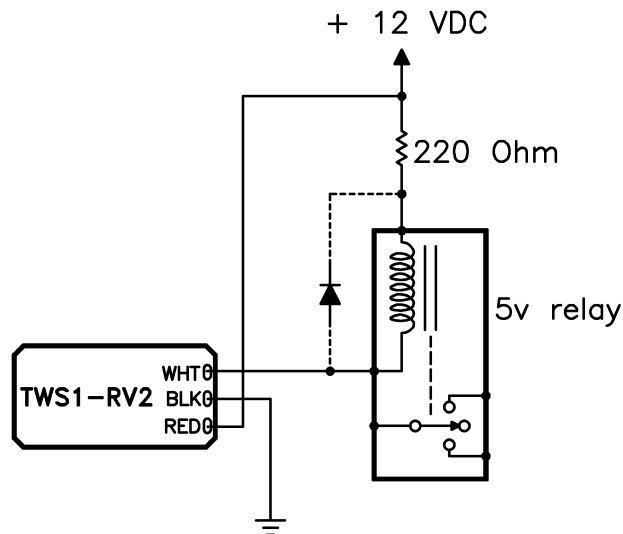
TSW1-RV2 APPLICATION CIRCUITS

AS LED DRIVER CONTROLLER

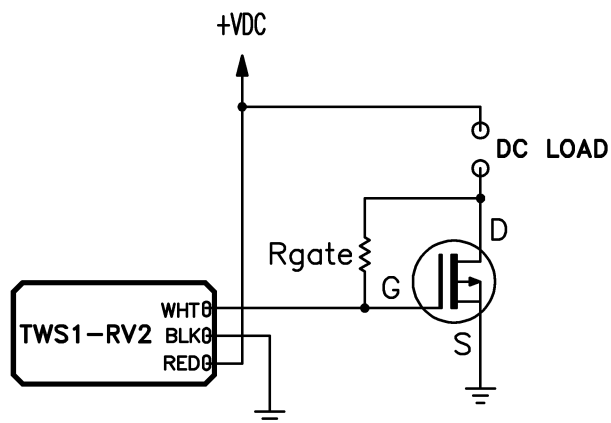
pg.1



AS RELAY CONTROLLER FOR AC SWITCH ETC.



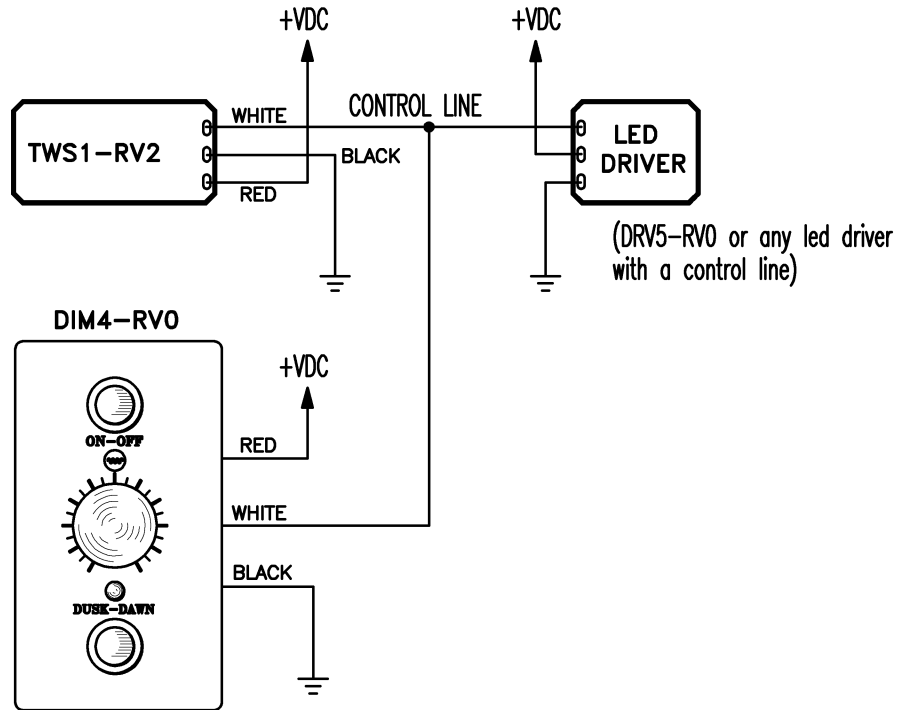
AS POWER MOSFET DC LOAD SWITCH



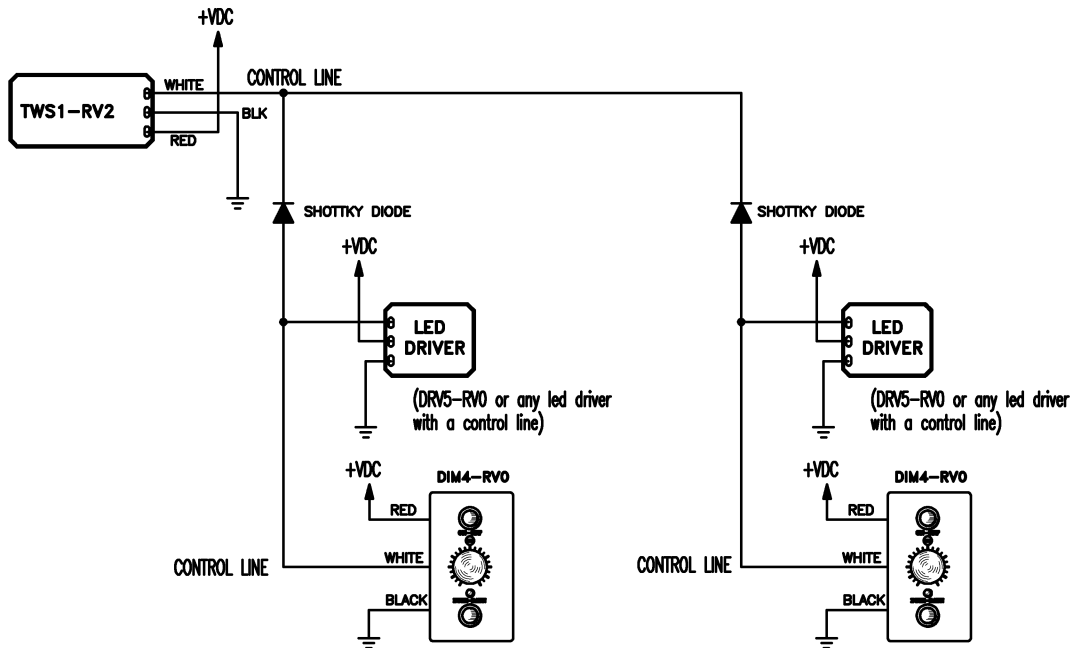
TSW1-RV2 APPLICATION CIRCUITS

AS CONVENIENT ADDITIONAL SWITCH WITH DIMMER DIM4-RV0

pg.2



AS A MASTER CONTROL SWITCH FOR TWO SEPARATE DIMMER/DRIVER SYSTEMS



NOTE: USING TWO SHOTTKY DIODES WILL ALLOW BOTH SYSTEMS TO HAVE INDEPENDANT DIMMING LEVELS AND ON-OFF CONTROL VIA THE DIM4-RV0 POWER SWITCHES.

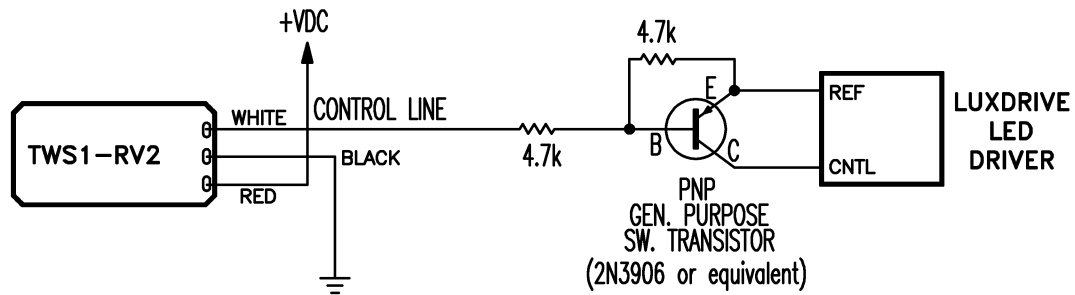
TSW1-RV2 APPLICATION CIRCUITS

CONTROLLING A DRIVER WITH A NON-COMMON GROUND CONTROL LINE

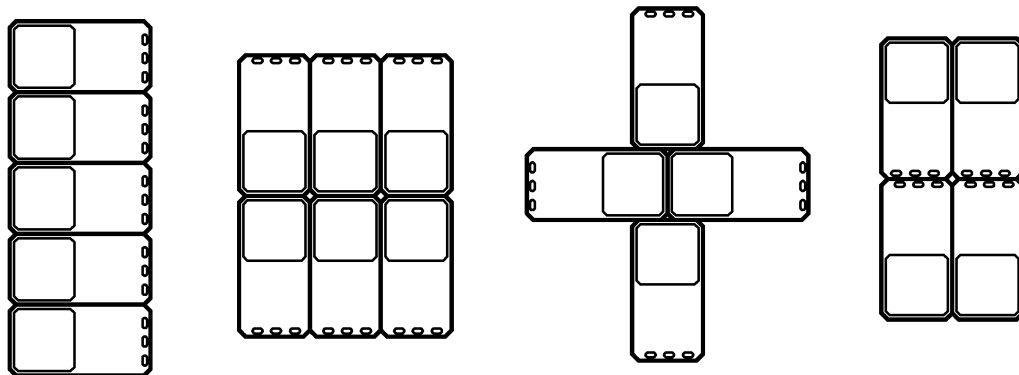
All of the NTP drivers and dimmers use a control line that has a common negative ground reference.

Some drivers such as the LuxDrive use a non-common floating control line that is Full ON when 0 volts and Full OFF with 5 volts.

This can be adapted to any of our controllers such as the TSW1-RV2, DDC1-RV0 and DIM4-RV0 PWM dimmer using the following circuit.



ARRANGING MORE THAN ONE TSW1-RV2 ON A PANEL



Any combination of TSW1-RV2 switches can be used on the same plate.